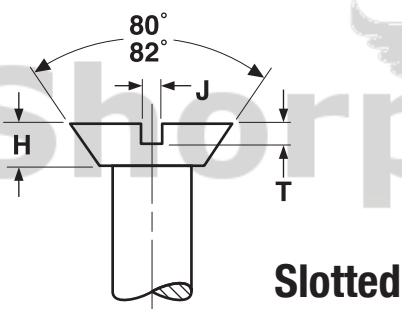
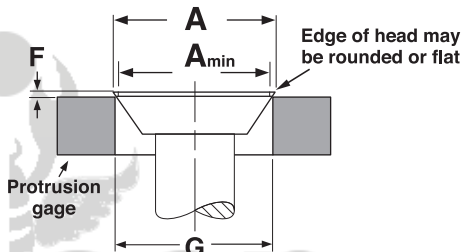
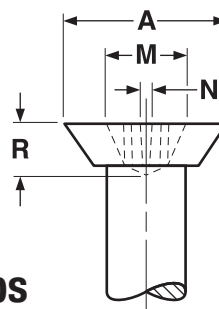


Shorpoen



Slotted



Phillips

UNDERCUT FLAT HEADS FOR MACHINE SCREWS

ASME B18.6.3-2010

Nominal Size	L <small>These Lengths or Shorter are Undercut</small>	Head Dimensions				Slot Dimensions				Recess Dimensions			Protrusion Above Gaging Diameter		Gaging Diameter	Phillips Driver Size
		Diameter		Height		Width		Depth		Diam.	Depth	Width	Max	Min		
		Max	Min	Max	Min	Max	Min	Max	Min	Ref	Ref	Ref				
0	1/8	.112	.096	.025	.018	.023	.016	.011	.007	.062	.035	.014	-	-	-	0
1	1/8	.137	.120	.031	.023	.026	.019	.014	.009	.070	.043	.015	-	-	-	0
2	1/8	.162	.144	.036	.028	.031	.023	.016	.011	.088	.048	.017	.029	.017	.124	1
4	3/16	.212	.191	.047	.038	.039	.031	.022	.014	.110	.070	.018	.032	.019	.172	1
5	3/16	.237	.215	.053	.043	.043	.035	.024	.016	.122	.081	.018	.034	.020	.196	1
6	3/16	.262	.238	.059	.048	.048	.039	.027	.017	.140	.066	.025	.036	.021	.220	2
8	1/4	.312	.285	.070	.058	.054	.045	.032	.021	.168	.094	.029	.039	.023	.267	2
10	5/16	.362	.333	.081	.068	.060	.050	.037	.024	.182	.110	.030	.042	.025	.313	2
12	3/8	.412	.380	.092	.078	.067	.056	.043	.028	.226	.110	.030	.045	.027	.362	3
1/4	7/16	.477	.442	.107	.092	.075	.064	.050	.032	.244	.124	.032	.050	.029	.424	3
5/16	1/2	.597	.556	.134	.116	.084	.072	.062	.041	.310	.157	.053	.057	.034	.539	4
3/8	9/16	.717	.670	.161	.140	.094	.081	.075	.049	.358	.205	.061	.065	.039	.653	4
1/2	3/4	.815	.765	.156	.130	.106	.091	.072	.046	.402	.252	.068	.081	.049	.739	4