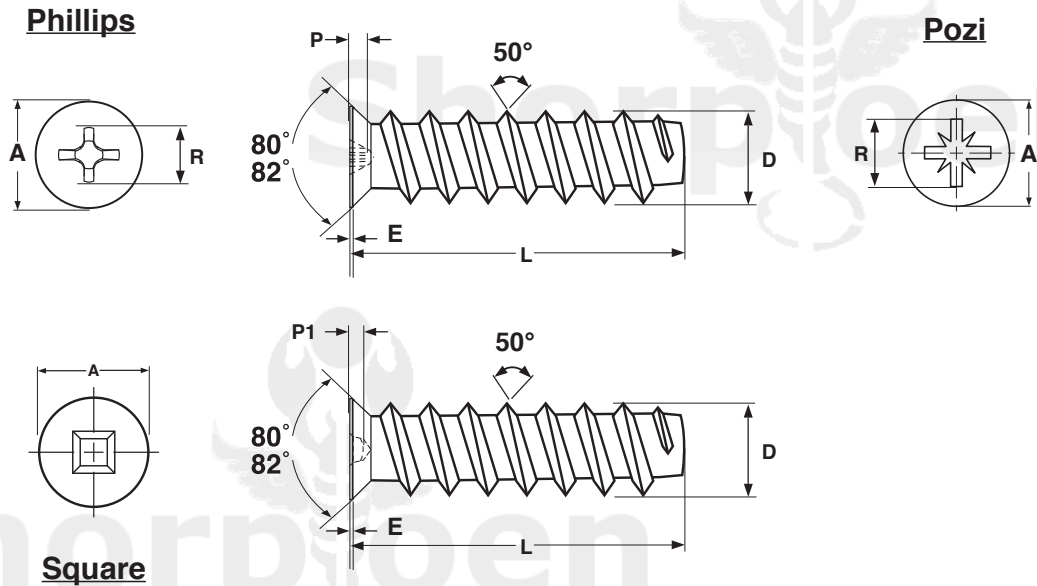


WOODWORKING SCREWS

European Drawer Slide Screws



EUROPEAN DRAWER SLIDE SCREWS																	
Size	A		P			P		P1			R		E		D		
	Head Diameter		Phillips			Pozi (Type Z Recess)		Square Recess			Recess Width		Top Edge of Head Thickness		Major Diameter		
			Penetration	Drive Size	Penetration	Drive Size	Penetration	Drive Size									
	Max	Min	Max		Min		Max		Min	Max	Min	Max	Min	Max	Min		
6.3-11	7.30	7.00	3.17	2.59	#2	2.70	2.40	#2	1.90	1.66	#2	5.18	4.86	0.30	0.10	6.30	6.10
Tolerance on Length						+0, -0.5											

Description	An externally threaded fastener with a short, 82-degree countersunk head, and spaced thread pattern. The part is available with choice of Phillips, Pozi (Type-Z) or Square recess.
Applications / Advantages	Designed for installation of European hinges and European drawer slides into cabinets that use a 32mm line boring layout with pre-drilled holes..
Material	Low Carbon 1010 or equivalent steel
Plating	Screws are typically available in either a zinc or nickel finish.