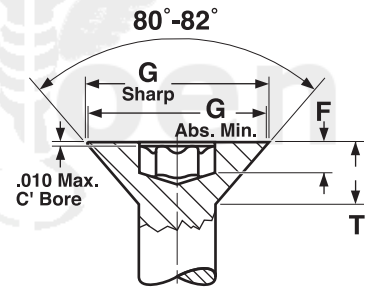
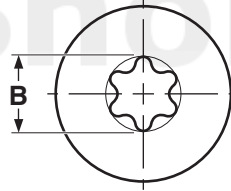
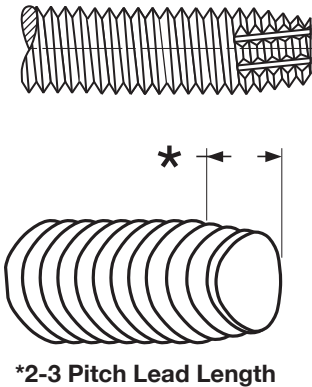


Type F FLOORBOARD **THREAD CUTTING**



SIX-LOBE RECESS FLAT HEADS (FLOORBOARD)

ASME B18.6.3-2013

Nominal Size or Basic Screw Diameter	G		T	B	F		Drive Size	
	Head Diameter		Head Height	Recess Diameter	Gauge Penetration			
	Max	Min	Ref	Ref	Max	Min		
.6 (U-Cut)	.138	.279	.244	.059	.111	.028	.024	T10
8	.164	.312	.285	.100	.132	.051	.040	T15
10	.190	.362	.333	.116	.155	.065	.050	T20
12	.216	.412	.380	.132	.178	.070	.055	T25
1/4	.250	.477	.442	.153	.200	.070	.055	T30
5/16	.312	.597	.556	.191	.266	.105	.087	T40
3/8	.375	.717	.670	.230	.266	.135	.115	T40
1/2**	.500	.815	.765	.223	.352	.135	.120	T50

*#6 Undercut dimensions are not addressed within the ASME B18.6.3 standard.
 ** 1/2" diameter floorboard screws have a trilobular point, not a Type-F.

Description	A countersunk, six-lobe drive thread cutting screw with machine screw thread pitch, blunt point, tapered entering threads, and multiple cutting edges. Larger diameter sizes may also be supplied as a thread rolling screw rather than thread cutting. Floorboard screws are, by definition, available in much longer sizes than standard type-F screws.
Applications/ Advantages	Floorboard screws are specifically designed for installing wood floors into truck trailers.
Material	AISI 1016 - 1024 or equivalent steel
Heat Treatment	Screws shall be quenched in liquid and then tempered by reheating to 650°F minimum.
Surface Hardness	Rockwell C45 minimum
Case Depth	<i>No. 8 thru 12 diameter:</i> .004 - .009 <i>1/4" diameter & larger:</i> .005 - .011
Core Hardness (after tempering)	Rockwell C28 - 38
Thread Dimensions	<i>#8 thru 3/8" diameters:</i> Same as those for Type-F thread cutting screws. <i>1/2" diameter:</i> Same as those for a thread rolling screw.
Plating	See Appendix-A for information on the plating of floorboard screws.