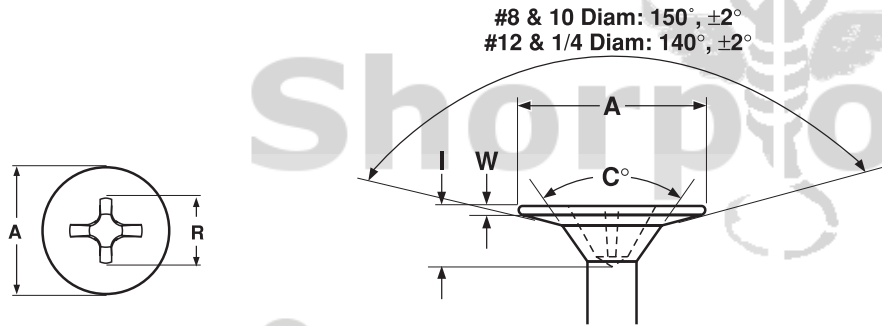
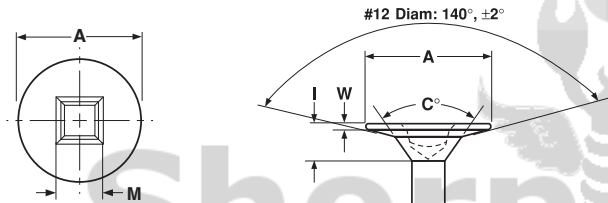


HEAD DIMENSIONS Wafer: Phillips & Square Recess



WAFER PHILLIPS HEAD FOR SELF-DRILLING SCREWS										
Nominal Size	A		R		I		W		Bottom Countersink Angle	Phillips Driver Size
	Head Diameter		Recess Diameter		Recess Depth		Wafer Thickness			
	Max.	Min.	Max	Min	Max	Min	Max	Min	± 2°	
8	.380	.359	.189	.176	.110	.086	.035	.025	50°	2
10	.516	.441	.204	.190	.124	.101	.040	.031	60°	2
12	.552	.511	.268	.254	.139	.115	.040	.031	70°	3
1/4	.620	.580	.282	.267	.160		.042	.033	70°	3

NOTE: There is no single standard for Wafer head dimensions. These values are offered as a guide; deviations from these specifications may occur



WAFER SQUARE RECESS HEAD FOR SELF-DRILLING SCREWS									
Nominal Size	A		M	I		W		C	Phillips Driver Size
	Head Diameter		Recess Width	Recess Depth		Wafer Thickness		Bottom Countersink Angle	
	Max.	Min.	Ref	Max	Min	Max	Min	± 2°	
12	.551	.512	.133	.095	.080	.039	.031	70°	3

NOTE: There is no single standard for Wafer head dimensions. These values are offered as a guide; deviations from these specifications may occur