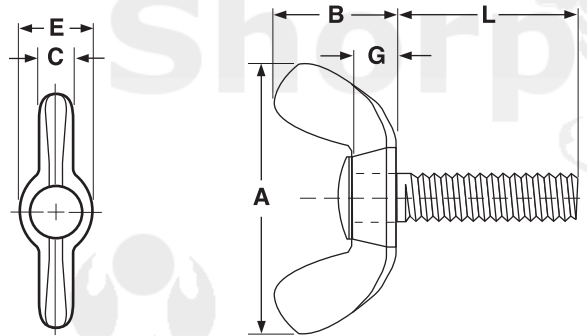


**WING SCREWS** Type A



<b>COLD-FORMED WING SCREWS, TYPE A</b>											ASME B18.6.8- 2010	
Nominal Size	Threads per Inch	A		B		C		E		G		
		Wing Spread		Wing Height		Wing Thickness		Boss Diameter		Boss Height		
		Max	Min	Max	Min	Max	Min	Max	Min	Max	Min	
8	32	0.91	0.78	0.47	0.34	0.14	0.10	0.43	0.39	0.18	0.14	
10	24 & 32	0.91	0.78	0.47	0.34	0.14	0.10	0.43	0.39	0.18	0.14	
1/4	20	1.10	0.97	0.57	0.43	0.18	0.14	0.50	0.45	0.22	0.17	
5/16	18	1.25	1.12	0.66	0.53	0.21	0.17	0.58	0.51	0.25	0.20	
3/8	16	1.44	1.31	0.79	0.65	0.24	0.20	0.70	0.64	0.30	0.26	
<b>Tolerance on Length</b>		<b>Nominal Screw Lengths</b>										
		Up to 1 inch, incl.				over 1 inch to 2 inch, incl.				over 2 inch		
		± 0.03				± 0.06				± 0.09		

<b>Description</b>	A screw having a wing-shaped head designed for manual turning without a driver or wrench. The type-A style is manufactured in two pieces with the cold-formed, winged head portion installed permanently to the shank.
<b>Applications/Advantages</b>	For use in applications where the fastener is frequently adjusted and where tightening torque greater than that achieved with finger pressure is not required. Greater torque can be applied manually turning a wing screw than a thumb screw because of the wider head. The case-hardened shank of the Type-A wing screw gives the threads greater resistance to abrasion than other low carbon wing screws.
<b>Material</b>	Carbon steel (the shank is case-hardened)
<b>Plating</b>	See Appendix-A for plating information.